

# Q-SPD

## The New Generation QSD 1 Series

### Defying Maintenance Commanding Performance

The all new QSD1 series is a fully integrated propulsion solution that requires the least maintenance and less often than any other propulsion plus offers superior performance at all speeds. Manufactured from marine friendly materials it is very light weight and very strong, enabling a wide range of power for recreational and commercial applications.

The QSD1 series is offered in 3 ratings that typically will suit engine power from 300hp and up to 900hp in single, twin and multiple drive configurations.



#### Specifications and Ratings

Model Name	QSD 102	QSD 120	QSD 125
Transom Mounting Angle		12°	
Shaft Diameter	2.00" (50.8mm)	2.25" (57.15mm)	2.50" (63.5mm)
Max Propeller Diameter		25" (635mm)	
Exhaust Diameter		6" (152mm)	
Rudder Angle		35° + 35°	
Steering Tiller Stroke		8" (204mm) or 9" (230mm)	
Nom. Thrust	16 kN	18 kN	18 kN
Nom. Torque	1100 Nm	1600 Nm	3000 Nm
Nom. Weight (excl. propeller)	80 kg	90 kg	95 kg

#### Materials

Main Housing	Eglass/CF/Epoxy
Main Shaft	SAF2205
Rudders and Tillers	Nibral
Thrust Housing and Coupling	Stainless Steel 316L
Fasteners	Stainless Steel 316
Main Shaft Bearing	Water Lubricated
Main Shaft Seal	Single Rotary Lip Seal

\*\* Specification subject to change

All vital mechanics and components are situated inboard away from the harmful elements. Thrust bearing on QSD120 and QSD125 are water cooled and exhaust is also accommodated for on all models with optional flange fittings as shown. Steering is by way of standard marine steering gear attached to the inboard tiller. All QSD drives are supplied with intermediate shaft and Q-SPD specified custom designed propeller as standard thus completing the full propulsion solution.



[www.q-spd.com](http://www.q-spd.com)

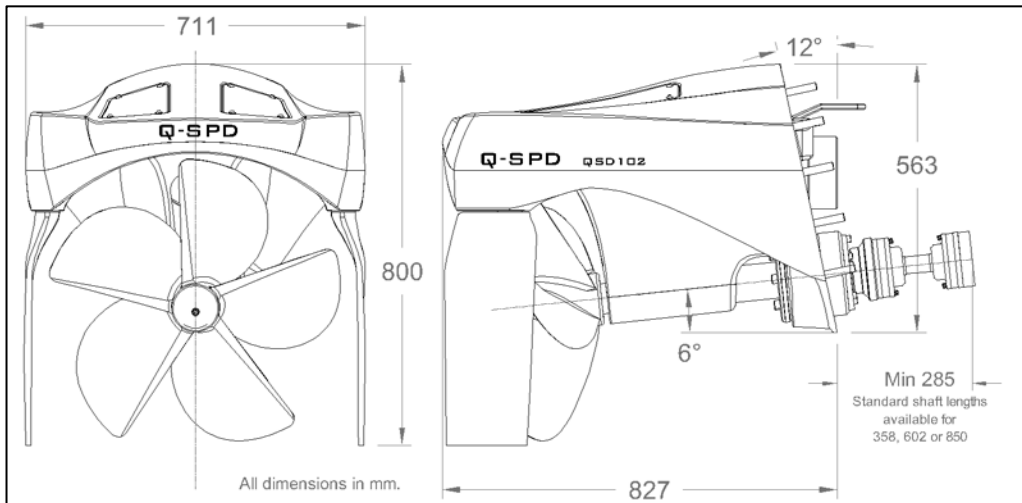
Designed and manufactured by:

Q-Marine International Ltd, Auckland, New Zealand, Ph: +64 9 4485801. Email: [info@q-spd.com](mailto:info@q-spd.com)

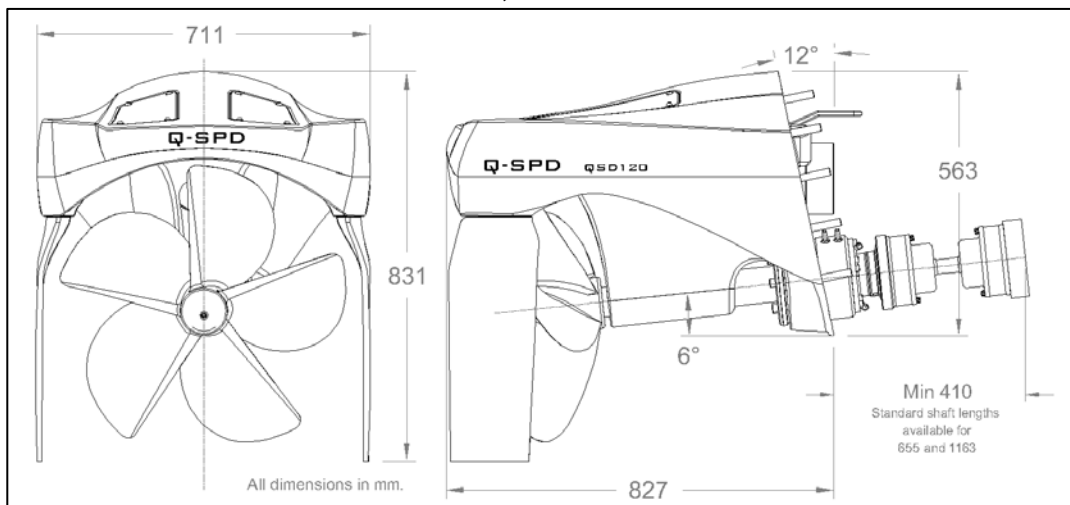
# Q-SPD

## QSD 1 Series - Dimensions

### QSD102



### QSD120



### QSD125

