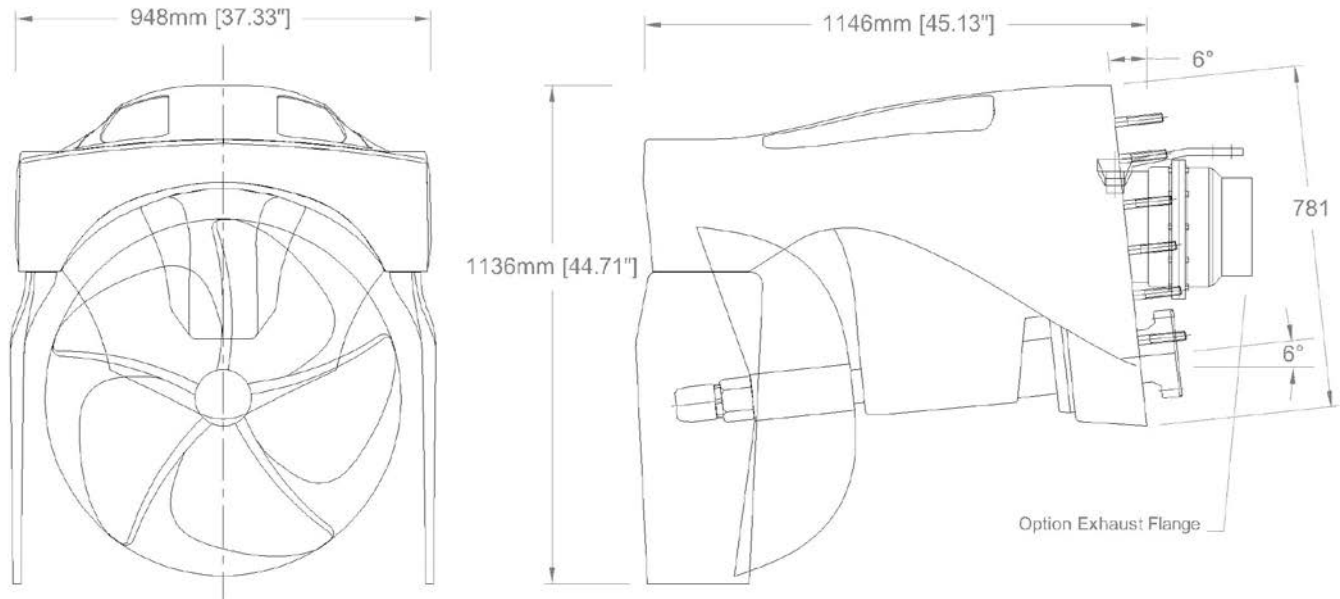


Q-SPD

Technical Specification

SD301

Dimensions:



Specification:

Model	SD301
Shaft Diameter	3.0" (76mm)
Max Propeller Diameter	34" (865mm)
Exhaust Diameter	10" (204mm) 8" with Flange Adapter
Max Rudder Angle	±35°
Steering Tiller Stroke	12" (304mm)
Max Thrust	30 kN
Max Torque	5200 Nm*
Weight	280 kg (excl propeller)

Materials:

Main Housing	Eglass/Carbon/Epoxy
Main Shaft	ASAF2205
Rudders and Tillers	Nibral
Thrust Housing and Coupling	Stainless Steel 316L
Fasteners	Stainless Steel 316
Thrust Bearing Type	QJ219 (Oil Lubricated)
Water Lubed Shaft Bearing	XLS
Main Shaft Seal	Single Water Lubricated Lip Seal

* Pleasure/Light Duty

** Specification subject to change.

Options:

- Exhaust Flange Adapter/Reducer
- Mechanical Tie Bar

www.q-spd.com

Designed and manufactured by:
Q-Marine International Ltd
Auckland, New Zealand
Email: sales@q-spd.com