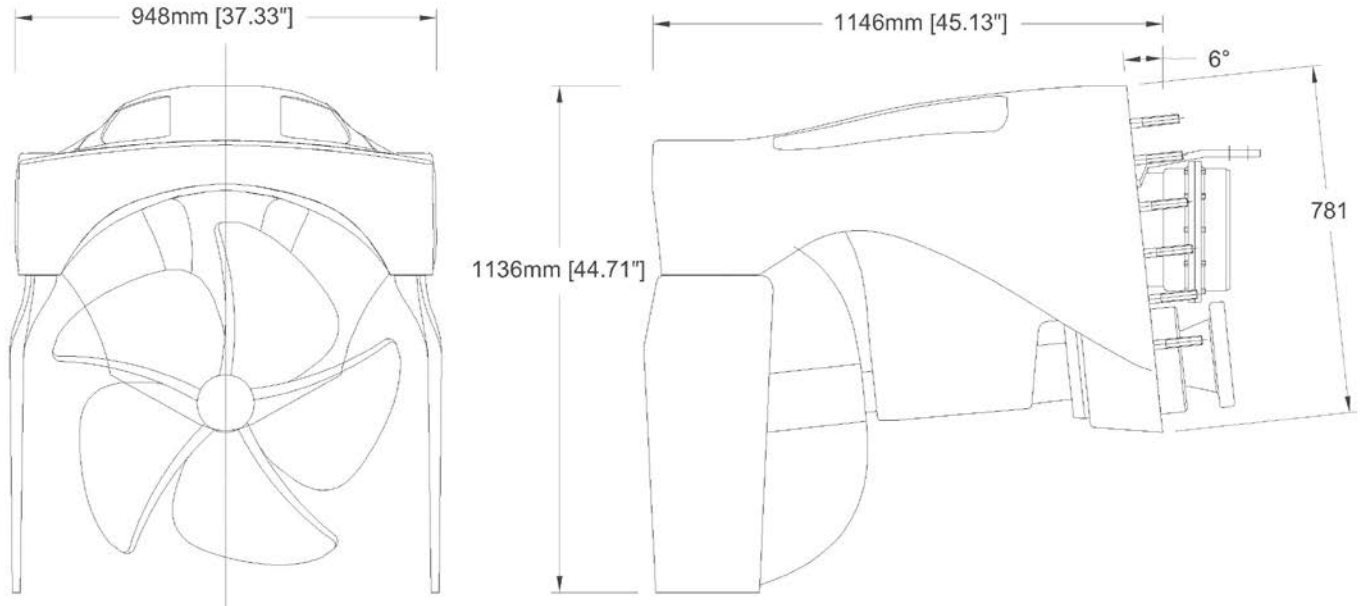


Q-SPD

Technical Specification

SD351

Dimensions:



Specification:

Model	SD350-F
Shaft Diameter	3.5" (90mm)
Max Propeller Diameter	34" (865mm)
Exhaust Diameter	10" (204mm)
Max Rudder Angle	35° + 35°
Steering Tiller Stroke	12" (304mm)
Max Thrust	40 kN
Max Torque	8,300 Nm*
Weight	310 kg (excl propeller)

Materials:

Main Housing	Eglass/Carbon Fibre/Epoxy
Main Shaft	SAF2205
Rudders and Tillers	Nibral
Thrust Housing and Coupling	Stainless Steel 316L
Fasteners	Stainless Steel 316
Thrust Bearing Type	QJ222 (Oil Lubricated)
Water Lubed Shaft Bearing	XLS
Main Shaft Seal	Single Water Lubricated Lip Seal

* Pleasure/Light Duty application

** Specification subject to change

Options:

- Exhaust Flange Adapter
- Mechanical Tie Bar

www.q-spd.com

Designed and manufactured by:
Q-Marine International Ltd
Auckland, New Zealand
email: sales@q-spd.com